



VIP+ Bottom Rolling Sliding Panels
Installation Instructions

VIP+ Bottom Rolling Sliding Panels Installation Instructions

For this system to operate properly, the floor must be as flat as possible. Any humps or dips will create uneven gaps between panels. USE SHIMS AS NECESSARY.

PARTS:

- Sliding panels
- Top track(s)
- Bottom track(s)
- Bottom rollers (attached to panels)
- Top roller guides (attached to panels)
- End caps
- Soft close mechanism (attached to panels)
- Soft close release bracket (field install in the top track)
- Screws and anchors/Ceiling grid clips (if applicable)
- Alignment pins (for sectional track pieces)
- Due to the custom nature of this product, items and quantities will vary.

TOOLS NEEDED:

- Drill with Phillips No. 2 driver
- 2.5mm allen wrench (t-handle recommended)
- 3mm allen wrench (t-handle recommended)
- Torx 20 driver
- Laser/ Plum bob
- Measuring tape
- Spray bottle of denatured alcohol, Sprayway or any non-ammonia-based cleaner
- Soft cleaning cloth

VIP+ Bottom Rolling Sliding Panels Installation Instructions

Installing the Tracks

STEP 1:

- A. Determine the location of the divider system on the ceiling and mark a line the length of the system. Along the line, mark hole locations for the track. Using a laser or plum bob, mark a line on the floor directly below the line on the ceiling. NOTE: Be sure to align multi-track systems accordingly - Track 1 ceiling aligns with Track 1 floor.
- B. Attach the top track to the ceiling using the appropriate hardware, 2" screws if drywall or hard surface, or ceiling grid clips if ACT. If using 2" screws, attach to studs or blocking where possible; otherwise, use plastic anchors provided. (IMAGE 1)

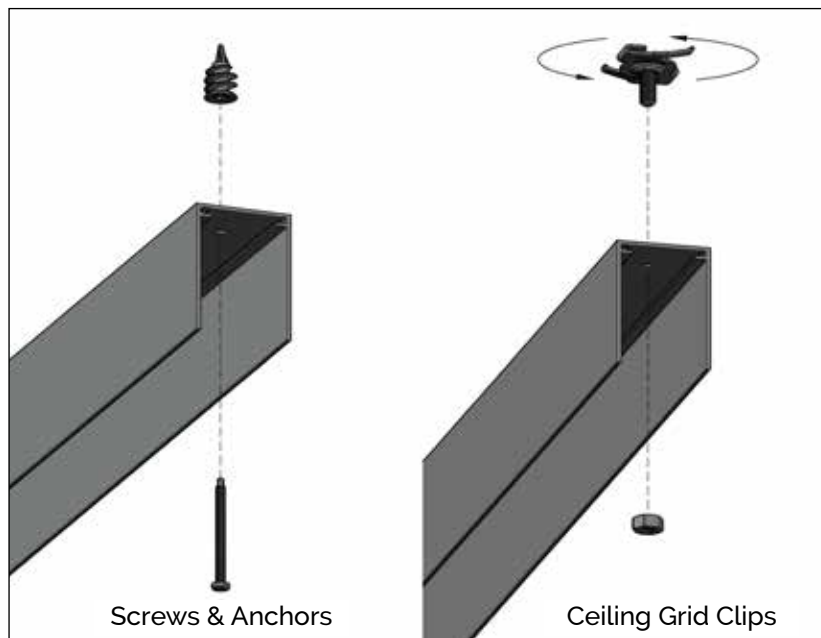


IMAGE 1

VIP+ Bottom Rolling Sliding Panels Installation Instructions

Installing the Tracks

STEP 2:

- A. Depending on the length of the system, the tracks may be shipped in multiple pieces. If so, 1/8" alignment pins are included. Once the first piece is installed, tap 2 ea. pins into the holes on the end of the track that will be receiving the next section.
- B. Align the next pieces with the pins and slide/tap until the joint is tight. Attach to the ceiling and repeat for remaining pieces. (Image 2)

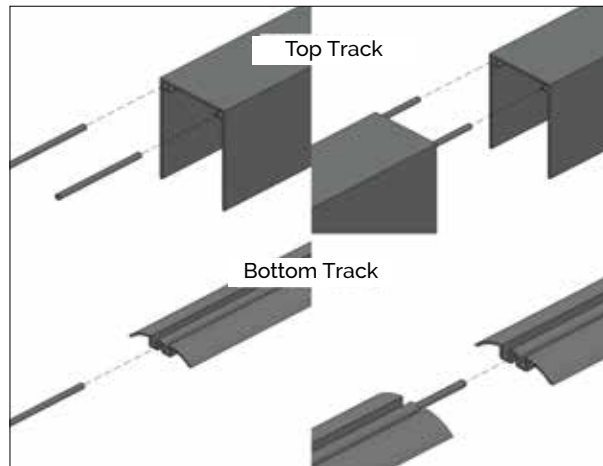


IMAGE 2

- C. Attach the floor track by peeling the protective backing from the double stick tape and pressing the track to the floor along the marked centerline. NOTE: The bottom track must be aligned with the top track for the system to function properly.
- D. Position end caps in top track flush with the end of the track. Attach using 3mm allen wrench. (Image 3)

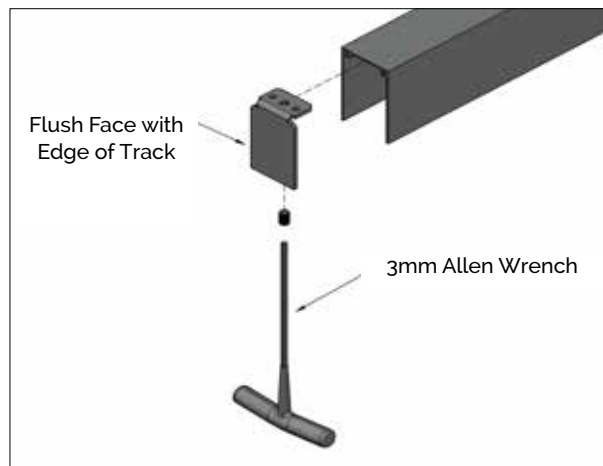


IMAGE 3

VIP+ Bottom Rolling Sliding Panels Installation Instructions

Installing the Panels

STEP 1:

- A. Before installing panels, check wheels on bottom to ensure they are extended out to the same dimension. (see step 3 if wheels need adjustment)
- B. With at least 2 people, lift the panel into vertical position. Tilt the panel slightly toward the top track until the top of the panel can freely go into the track. Once in the top track, align the bottom of the panel with the bottom track. The wheels on the bottom of the panel should ride smoothly on the rounded part of the track. (Image 4)

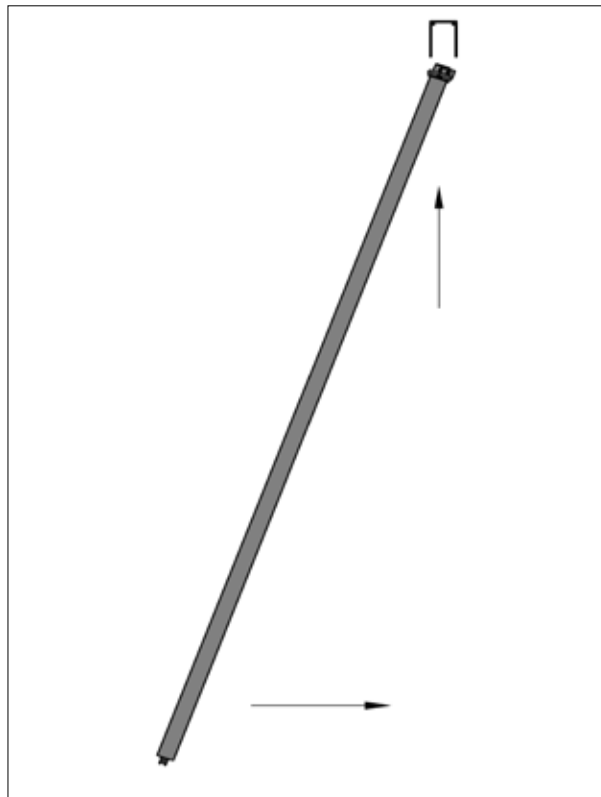


IMAGE 4

VIP+ Bottom Rolling Sliding Panels Installation Instructions

Installing the Panels

STEP 1:

- C. If any part of the panel contacts the bottom track, the wheels will need to be adjusted. Take the panel back down and lay flat on a protected surface. Using a Torx 20 driver, turn the screw clockwise to extend the wheel out. Turning the screw counterclockwise will retract the wheel. **NOTE:** Be sure to make the same adjustments to both wheels to ensure the panel will be level when re-installed. (Image 5)

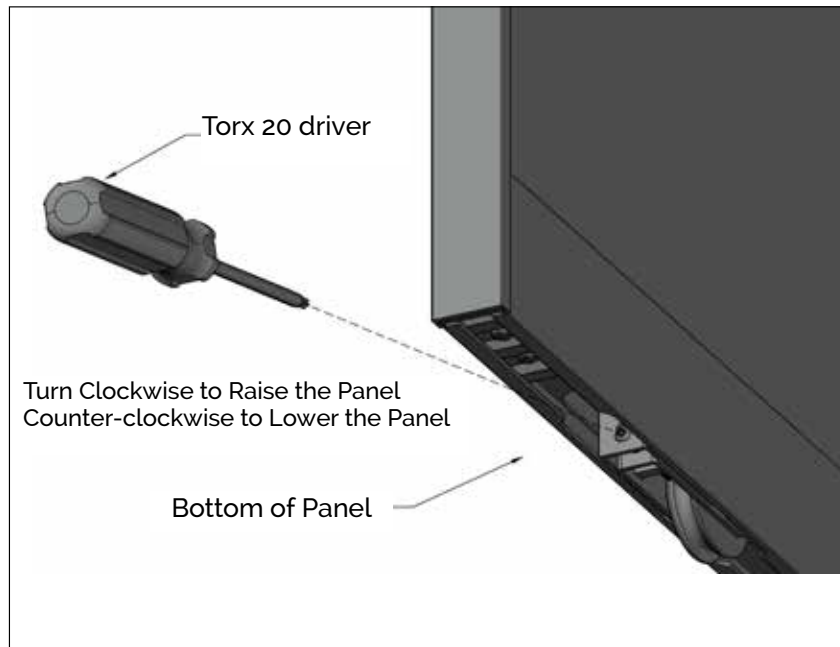


IMAGE 5

- D. Re-install the panel. If more adjustments are needed, repeat step 3.
- E. Make the same adjustments to other panels to allow panels to align with each other from top to bottom.

VIP+ Bottom Rolling Sliding Panels Installation Instructions

Installing the Panels

Step 2: Soft Close Hardware (if applicable)

- A. Take note of which side of the panel the tabs face on the soft close mechanism (front or back). The tab on the release bracket must be installed on the same side of the top track. (Image 6)

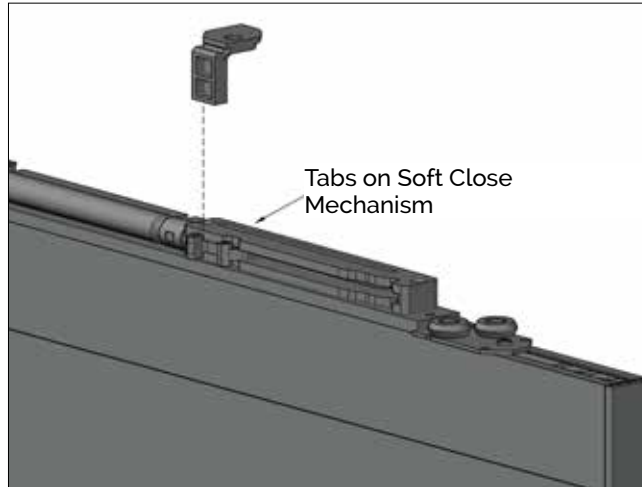


IMAGE 6

- B. With the bracket in the correct orientation, slide it into the track. It should be 8.5" from the end of the track.

- C. Tighten with 2.5mm allen wrench.

*Only the tabs on the soft close mechanism should contact the release bracket. If the panel or any other parts make contact, the release bracket may need to be shortened. This can be done using a hacksaw to cut off the needed amount. (Image 7)

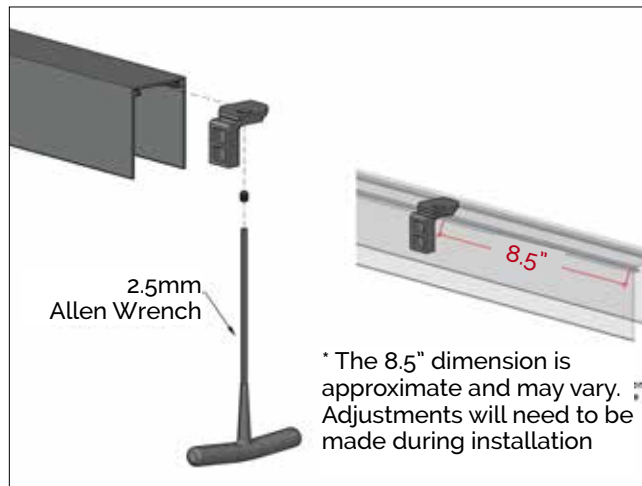


IMAGE 7

- D. Test panel movements and alignment one last time, make final adjustments as necessary.