

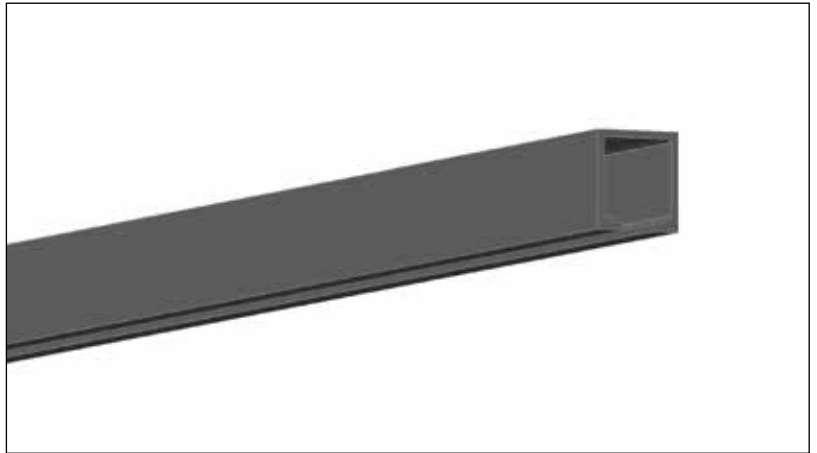


Intersection Stack  
Top Hung Mounting Instructions

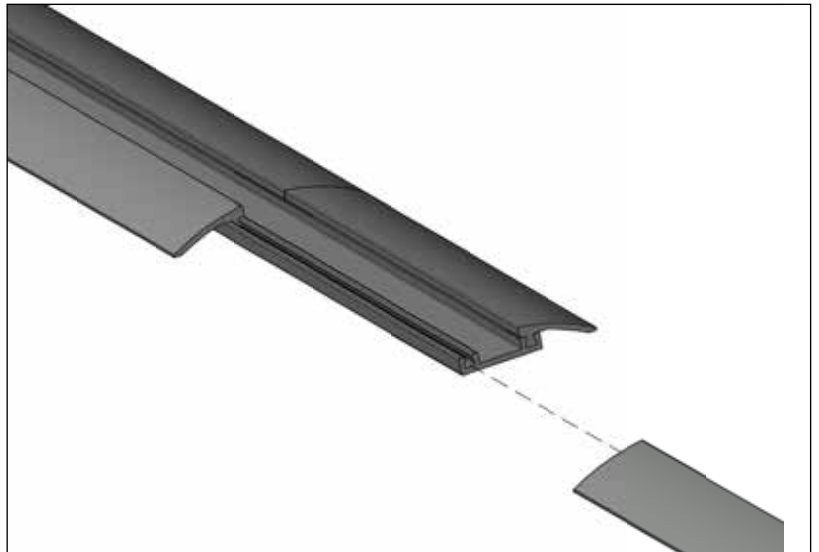
## Intersection Stack Top Hung Mounting Instructions

1. Attach the long sections of the upper tracks to ceiling using screws provided (tap-con/ 2" self-drilling), or appropriate anchors for your conditions. Shim as needed to ensure upper and lower tracks are parallel and level.

2. Mark the floor for the lower track so that it will be plumb and aligned with the upper track. (See Floor Track Assembly Instructions-attached)

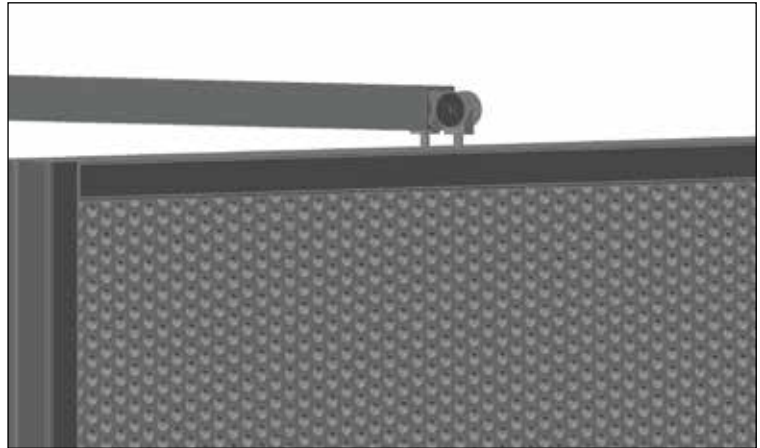


3. Attach the lower track to the floor with the double stick tape provided, or anchored to the floor if required.



## Intersection Stack Top Hung Mounting Instructions

4. Lifting the panels, slide the carrier into the top track.  
Insert panels in closed position, perpendicular to the track.  
Two people lift the panels from each side and one person guides the carriers into the track.



5. Under the bottom profile of each panel you will find the gravity fed plastic guide pins, remove the tape to allow them to fall into each track. If there is a binding issue, make necessary adjustments in the field.





## Intersection Stack Top Hung Mounting Instructions

6. Once all panels are hung, the small upper track sections can be hung.
7. Test all panels for smooth movement. After collapsing the hinged panels to operate as one, walk each pair of panels completely to each side.

TIP: FOR EASIEST MOVEMENT OF BOTH PANELS FROM ONE SIDE TO THE OTHER, MOVE IN THE FULLY OPENED OR CLOSED POSITION.

For questions & assistance contact:

**Greg Hutchens**

205.902.6164

[greg.hutchens@coronagroupinc.com](mailto:greg.hutchens@coronagroupinc.com)

## Intersection Stack Top Hung Mounting Instructions Floor Track Assembly

The floor track has two profiles: a bottom and sides. If the track will be under 118", all parts will be the same length. If the track will be over 118", the parts will come in 2 lengths, one shorter and one longer. This is so the joints can be offset and the full length can be assembled together. See drawing for reference.

The track pieces slide together using sliding dovetails. Clear silicone can be applied in the dovetail joints if you want them to be permanently secured.

Once the whole track is assembled the double sided foam tape can be applied on the bottom of the tracks.

