

## INTERSECTION Mounting Instructions

### Drywall Ceiling

1. Mark and drill four\* through holes ( $\frac{3}{16}$ "") on the top horizontal piece. (Figure A)

\*More mounting holes may be needed if panel is over 48" wide.

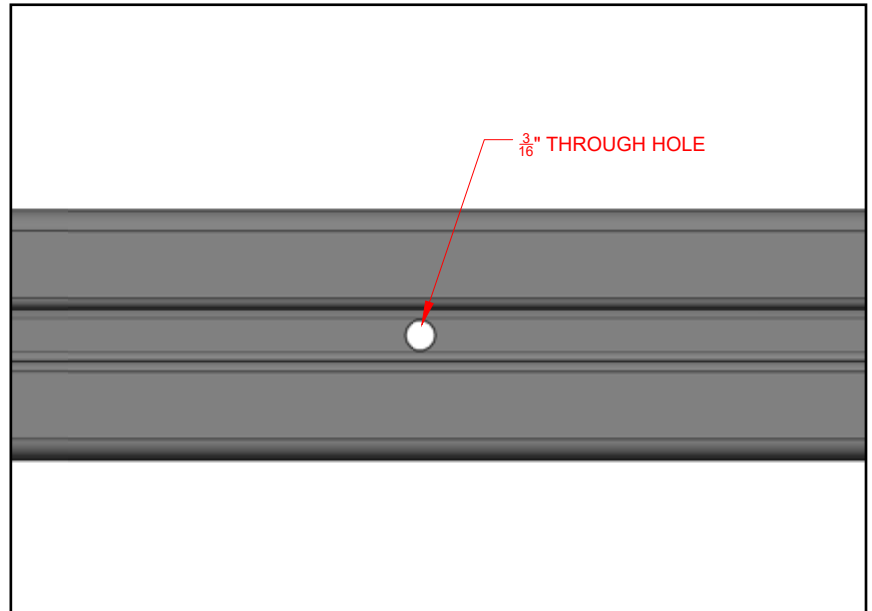


Figure A

2. Using the holes drilled in the top of the panel, mark the ceiling where the panel will attach. If possible use ceiling joists. Otherwise use anchors provided.

3. Thread the floor glides into the tapped end of the uprights. (Figure B)

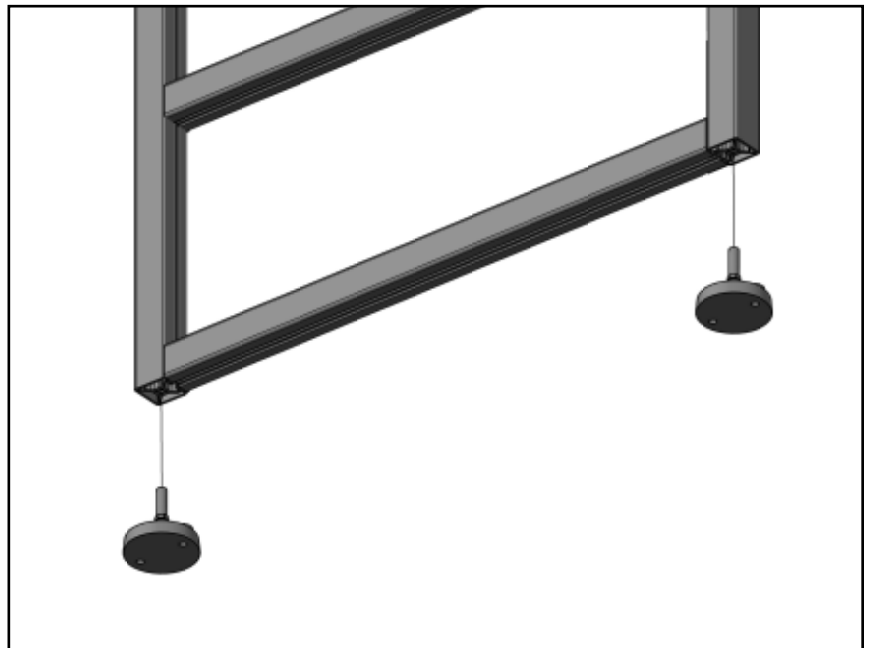


Figure B

## INTERSECTION Mounting Instructions

4. Once the holes are drilled and the glides are installed, the panel can be lifted into place.

An extra person may be needed to set the panel in place.

(Figure C)

5. Adjust the floor glides to level and plumb the panel also raising it tight to the ceiling.

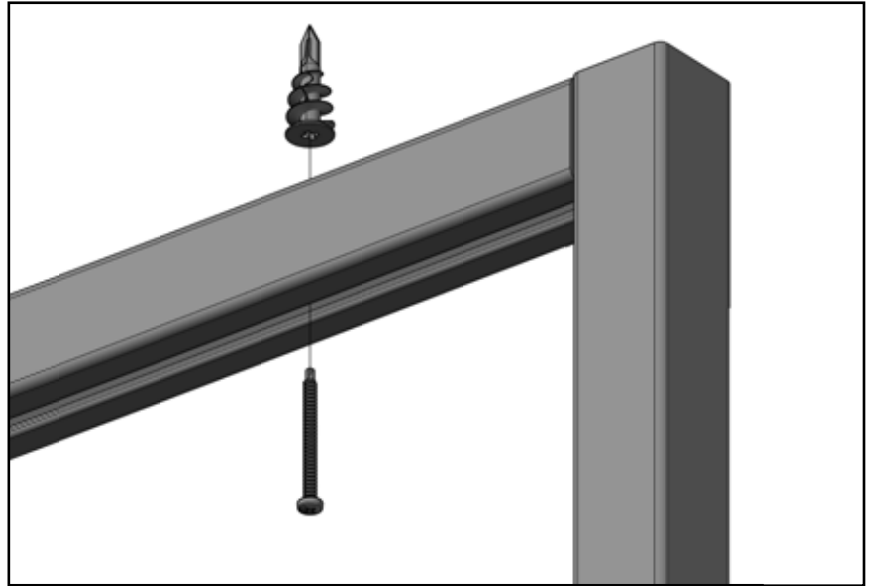


Figure C

6. Once level and plumb, attach to ceiling using screws provided

**Note:** The floor glides have punch outs that can be used to fix the glides to the floor if desired.