

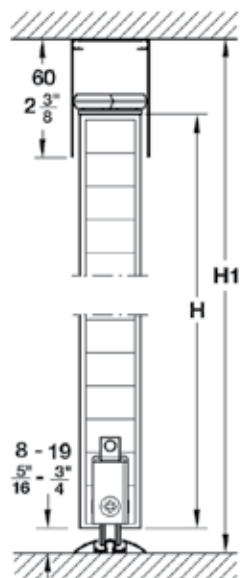
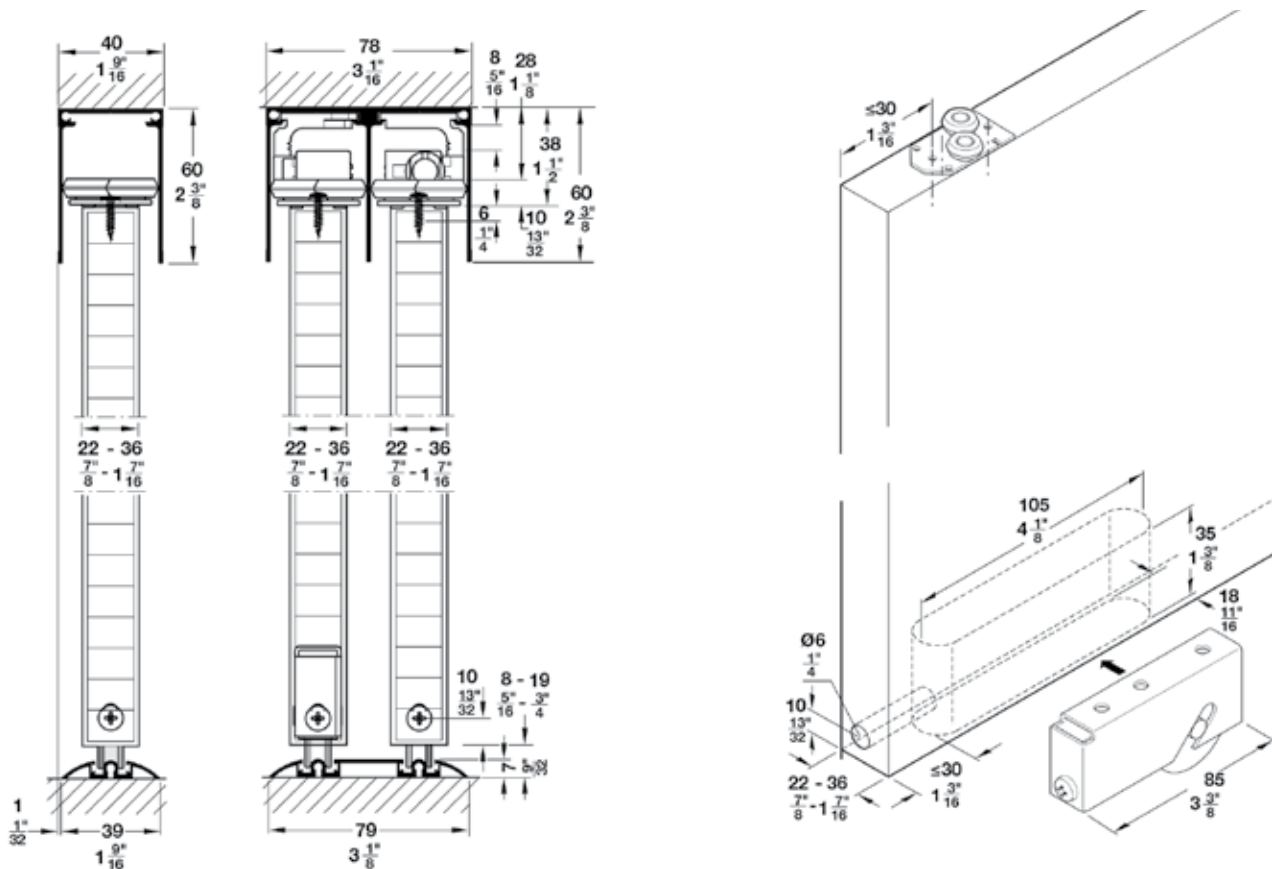


VIP+ Series Sliding Wall Panels Mounting Instructions

coronaVISUAL

VIP+ Sliding Wall Panels

- > Floor Track maybe adhered or fastened to the floor
- > Floor must be level within X +/- tolerance
- > Top Track and Floor Track must be exactly parallel to ensure smooth sliding panels
- > Panels have 1^{7/8"} adjustability within track system



$H = H1 - 50 (2")$
with glued on running track

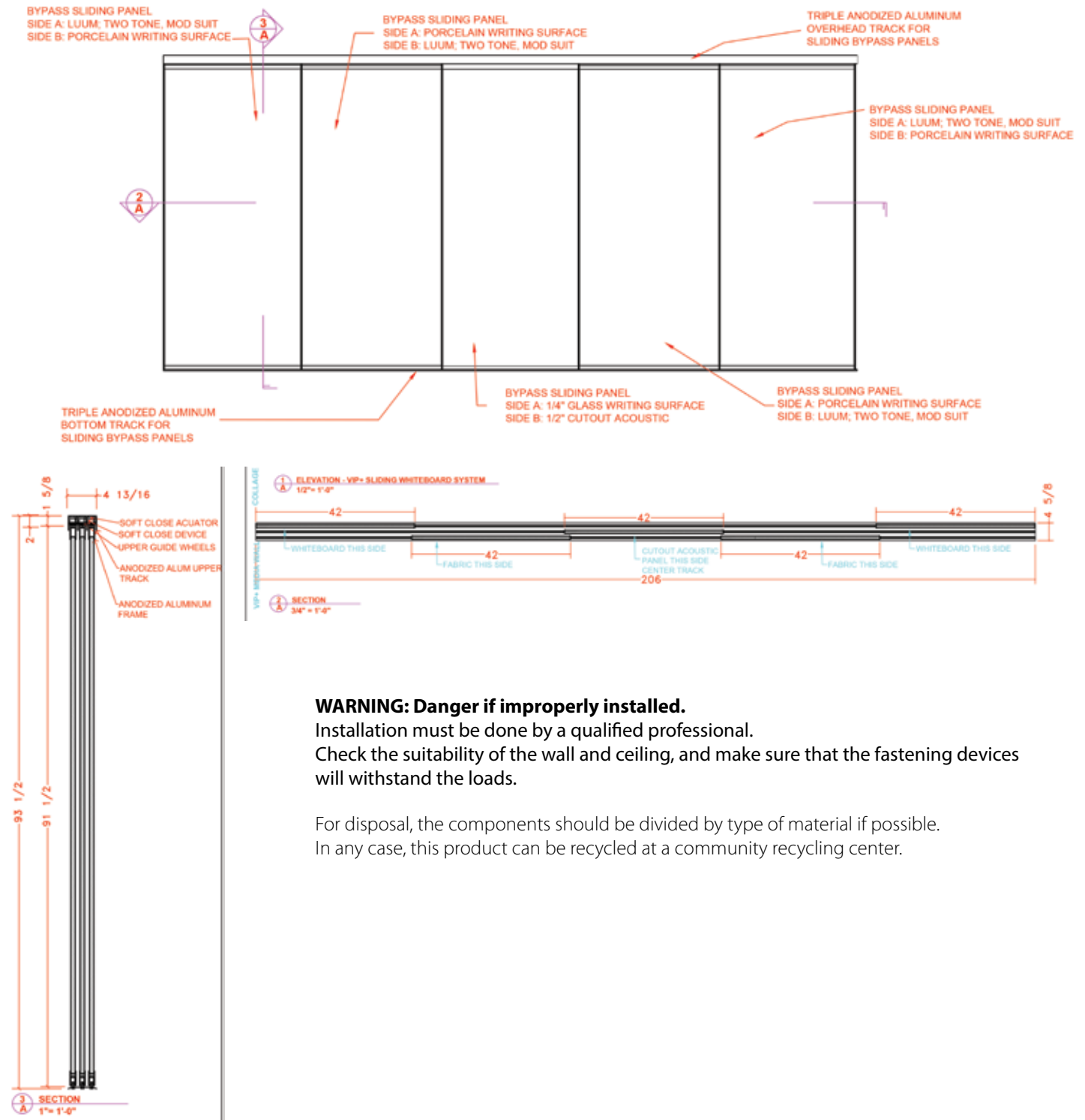
- Maximum door weight: 80 kg (176 lbs.)
- Maximum internal height: 3000 mm (118 1/8")
- Door width: 500 – 1500 mm (19 11/16" – 59 1/16")
- Door thickness: 22 – 36 mm (7/8" – 1 7/16")
- Height adjustment: -5/+10 mm (3/16" / 13/32") on running gear using screw
- For 1 door

Note

Order 2 sets for 2 doors.

coronaVISUAL

VIP+ Sliding Wall Panels



WARNING: Danger if improperly installed.

Installation must be done by a qualified professional.

Check the suitability of the wall and ceiling, and make sure that the fastening devices will withstand the loads.

For disposal, the components should be divided by type of material if possible. In any case, this product can be recycled at a community recycling center.